

**MODEL:** T-1275 with Master Vent  
**DIMENSIONS:** inches (mm)  
**BATTERY:** Flooded/wet lead-acid battery  
**COLOR:** Maroon (case/cover)  
**MATERIAL:** Polypropylene



## PRODUCT SPECIFICATION

BCI GROUP SIZE	TYPE	CAPACITY <sup>A</sup> Minutes			CAPACITY <sup>B</sup> Amp-Hours (AH)		TERMINAL Type	DIMENSIONS <sup>C</sup> Inches (mm)			WEIGHT lbs. (kg)
		@25 Amps	@56 Amps	@75 Amps	5-Hr Rate	20-Hr Rate		Length	Width	Height <sup>D</sup>	
<b>12 VOLT DEEP CYCLE BATTERY - with T2 TECHNOLOGY™</b>											
N/A	T-1275	280	102	70	120	150	1	12-7/8 (327)	7-1/8 (181)	10-7/8 (276)	82 (37)

- A. The number of minutes a battery can deliver when discharged at a constant rate at 80°F (27°C) and maintain a voltage above 1.75 V/cell. Capacities are based on nominal performance.  
 B. The amount of amp-hours (AH) a battery can deliver when discharged at a constant rate at 80°F (27°C) for the 20-Hour and 100-Hour rates and 86°F (30°C) for the 5-Hour rate and maintain a voltage above 1.75 V/cell. Capacities are based on nominal performance.  
 C. Dimensions are based on nominal size. Dimensions may vary depending on type of handle or terminal.  
 D. Dimensions taken from bottom of the battery to the highest point on the battery. Heights may vary depending on type of terminal.  
 Trojan's battery testing procedures adhere to both BCI and IEC test standards.

## CHARGING INSTRUCTIONS

CHARGER VOLTAGE SETTINGS (AT 77°F/25°C)				
System Voltage	12V	24V	36V	48V
Daily Charge	14.8	29.6	44.4	59.2
Float	13.2	26.4	39.6	52.8
Equalize	15.5	31.0	46.5	62.0

Do not install or charge batteries in a sealed or non-ventilated compartment. Constant under or overcharging will damage the battery and shorten its life as with any battery.


## CHARGING TEMPERATURE COMPENSATION

.028 VPC for every 10°F (5.55°C) above or below 77°F (25°C) (add .028 VPC for every 10°F (5.55°C) below 77°F and subtract .028 VPC for every 10°C above 77°F).

## OPERATIONAL DATA

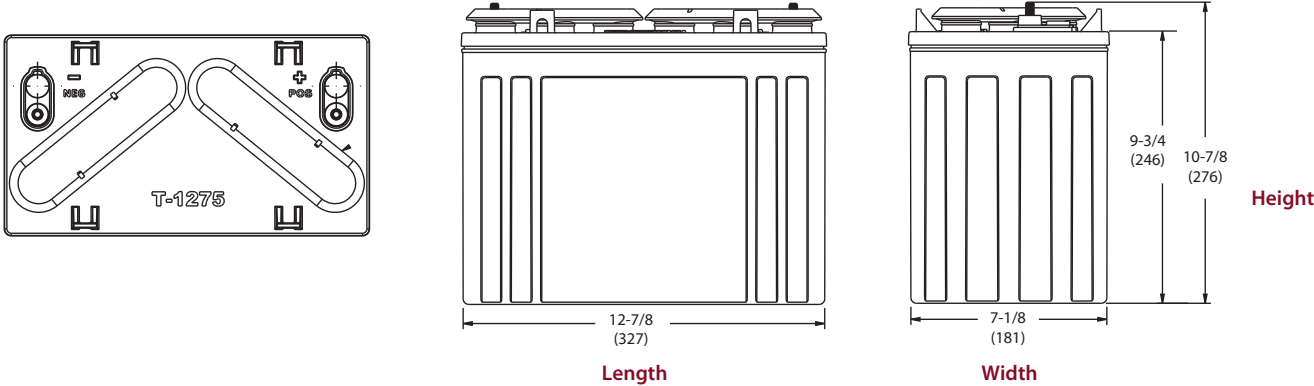
Operating Temperature	Self Discharge
-4°F to 113°F (-20°C to +45°C). At temperatures below 32°F (0°C) maintain a state of charge greater than 60%.	5 – 15% per month depending on storage temperature conditions.

## TERMINAL CONFIGURATIONS

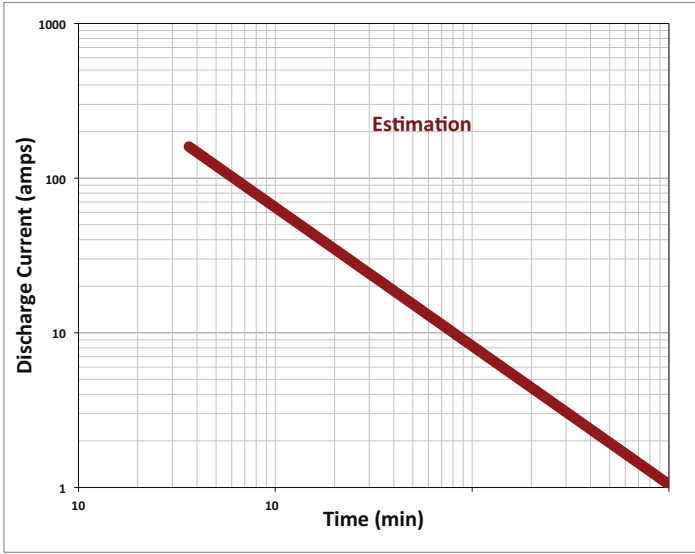
1	ELPT	Embedded Low Profile Terminal
		Terminal Height Inches (mm) 1-7/32 (31) Torque Values in-lb (Nm) 95-105 (10.7 – 11.9) Bolt Size 5/16 – 18

# T-1275 DATA SHEET

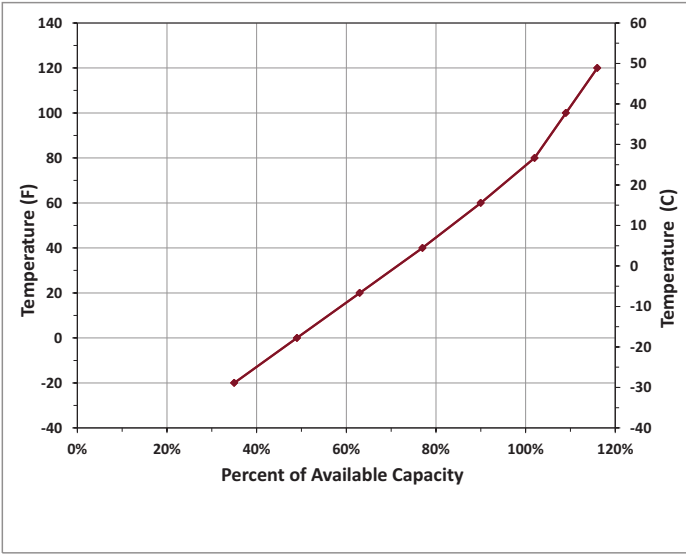
## BATTERY DIMENSIONS (shown with ELPT)



## TROJAN T-1275 PERFORMANCE



## PERCENT CAPACITY VS. TEMPERATURE



Consulte por el resto de nuestros productos..



info@grupomultitech.com.ar  
 www.grupomultitech.com.ar  
 (011) 4572-3715

UPS - Estabilizadores - Baterias - Cargadores - Inversores - Racks